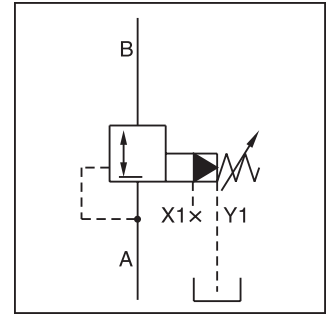
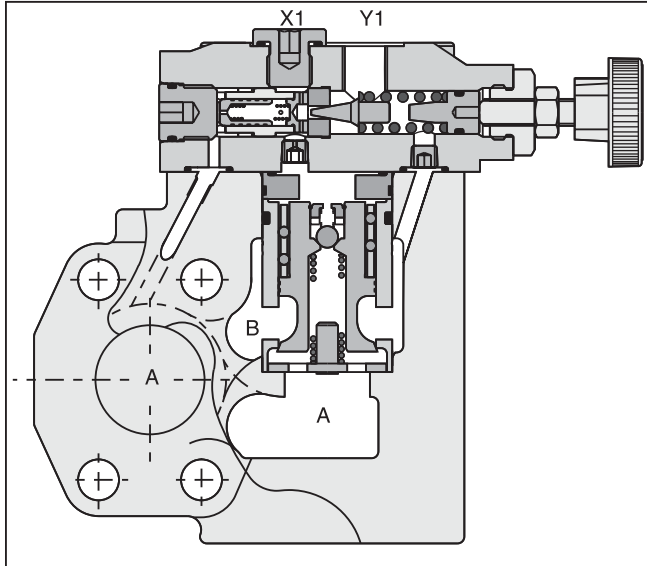


**General Description**

Series R5R pilot operated pressure reducing valves have a similar design as the subplate mounted R4R series. The SAE flanges allow to mount the valves directly on the inlet flanges of actuators to achieve a very compact design.



**Features**

- Pilot operated with manual adjustment.
- Normally closed to avoid unintended motion.
- 2-port body with SAE61 flange.
- 3 sizes (SAE 3/4", 1", 1-1/4").
- 3 pressure stages.
- 3 adjustment modes:
  - Hand knob
  - Acorn nut with lead seal
  - Key lock
- With optional vent function.
- Flow direction B → A.

**Ordering Information**

<b>R5R</b>	□	—	□	<b>2</b>	□	□	<b>6</b>	□	□	<b>A</b>	□	□
Pressure Reducing Valve	Size		SAE 61 Interface	2-Port Body X1, Y1 = SAE 4	Pressure Range	Adjustment	External Drain from Y1 Port	Switching Type	Solenoid Voltage	Design Series	Seal	Options Check with Factory

Code	Description
06	SAE 3/4"
08	SAE 1"
10	SAE 1-1/4"

Code	Description
1	Hand Knob
3	Acorn Nut with Lead Seal
4	Key Lock

Code	Description
Omit	Standard w/o vent function
G0R	12V
G0Q	24V
GAR	98V
GAG	205V
W30	110V 50Hz/ 120V 60Hz
W31	220V 50Hz/ 240V 60Hz

Code	Description
1	Nitrile
5	Fluorocarbon

Code	Description
4	10      280 Bar (4060 PSI)
5	06/08    350 Bar (5075 PSI)

Code	Description
1	up to 105 Bar (1523 PSI)
3	up to 210 Bar (3045 PSI)
5	up to 350 Bar (5075 Bar)

Code	Description
Omit	Standard w/o vent function
09*	Solenoid not activ. unpress. circulation
11**	Solenoid activated unpress. circulation

Further options on request.

**Weight:**

R5R06 4.0 kg (8.8 lbs.)  
 R5R08 4.6 kg (10.1 lbs.)  
 R5R10 5.9 kg (13.0 lbs.)

R5R.indd, dd

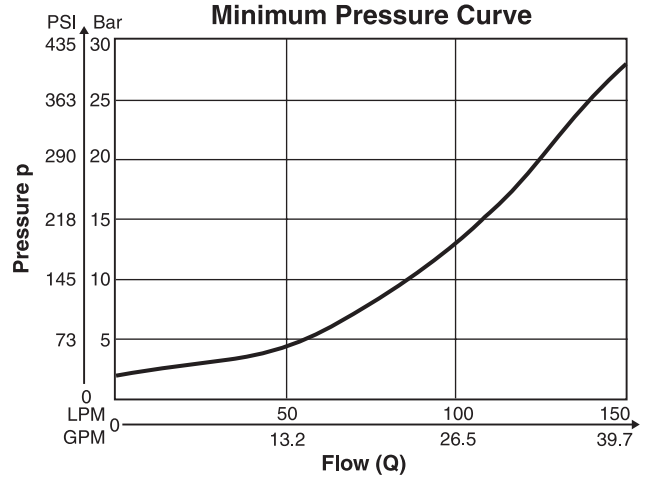
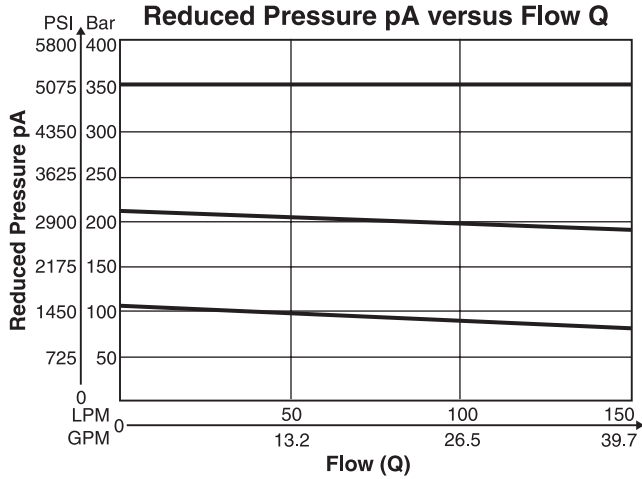
\* Sol. de-energized: open to tank  
 Sol. energized: vent line blocked  
 \*\* Sol. de-energized: vent line blocked  
 Sol energized: open to tank



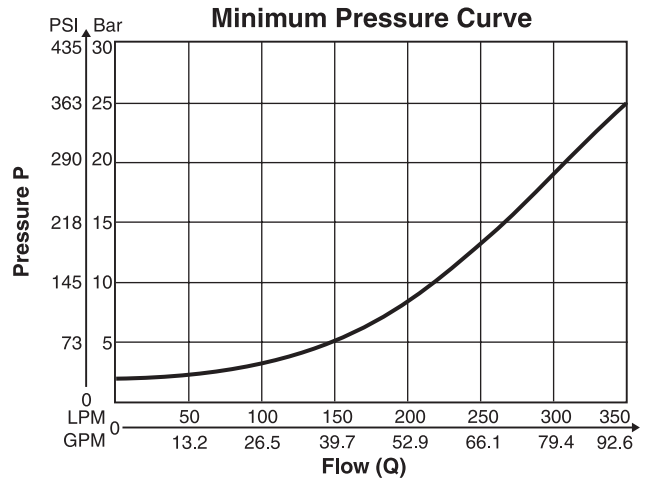
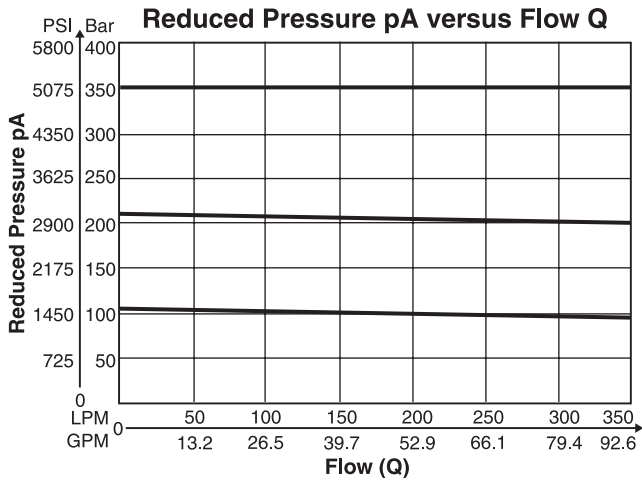
General							
<b>Size</b>	<b>06</b>		<b>08</b>		<b>10</b>		
<b>Mounting</b>	Flanged according to SAE 61						
<b>Mounting Position</b>	Unrestricted						
<b>Ambient Temperature Range</b>	-20°C to +50°C (-4°F to +122°F)						
Hydraulic							
<b>Max. Operating Pressure</b>	<b>Ports A,B, X1</b>	350 Bar (5075 PSI)		350 Bar (5075 PSI)		280 Bar (4060 PSI)	
	<b>Port Y1</b>	30 Bar (435 PSI)		30 Bar (435 PSI)		30 Bar (435 PSI)	
<b>Pressure Ranges</b>	105 Bar (1523 PSI), 210 Bar (3045 PSI), 350 Bar (5075 PSI)						
<b>Nominal Flow</b>	90 LPM (23.8 GPM)		300 LPM (79.4 GPM)		500 LPM (132.3 GPM)		
<b>Fluid</b>	Hydraulic oil as per DIN 51524 ... 51525						
<b>Fluid Temperature</b>	-20°C to +80°C (-4°F to +176°F)						
<b>Viscosity Permitted Recommended</b>	10 to 650 cSt / mm <sup>2</sup> /s (46 to 3013 SSU) 30 cSt / mm <sup>2</sup> /s (139 SSU)						
<b>Filtration</b>	ISO Class 4406 (1999) 18/16/13 (acc. NAS 1638: 7)						
Electrical (Solenoid)							
<b>Duty Ratio</b>	100%						
<b>Solenoid Connection</b>	Connector as per EN175301-803						
<b>Protection Class</b>	IP65 in accordance with EN60529 (plugged and mounted)						
	<b>Code</b>	<b>G0R</b>	<b>G0Q</b>	<b>GAR</b>	<b>GAG</b>	<b>W30</b>	<b>W31</b>
<b>Supply Voltage</b>		12V	24V	98V	205V	110V at 50Hz 120V at 60Hz	2200V at 50Hz 240V at 60Hz
<b>Tolerance Supply Voltage</b>		+5 to -10	+5 to -10	+5 to -10	+5 to -10	±5	±5
<b>Power Consumption</b>	<b>Hold</b>	31W	31W	31W	31W	78W	78W
	<b>In Rush</b>	31W	31W	31W	31W	264W	264W
<b>Response Time</b>	Energized / De-energized AC 20/18ms, DC 46/27 ms						
<b>Max. Switching Frequency</b>	AC up to 7200, DC 70 to 16,000 switchings/hour						
<b>Coil Insulation Class</b>	H (180°C) (356°F)						

D

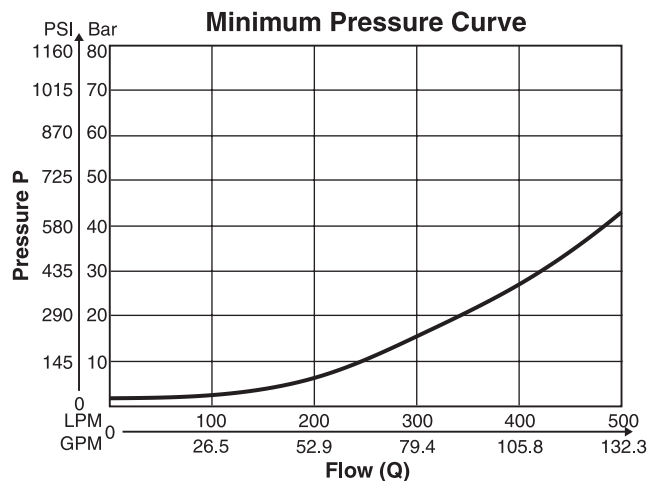
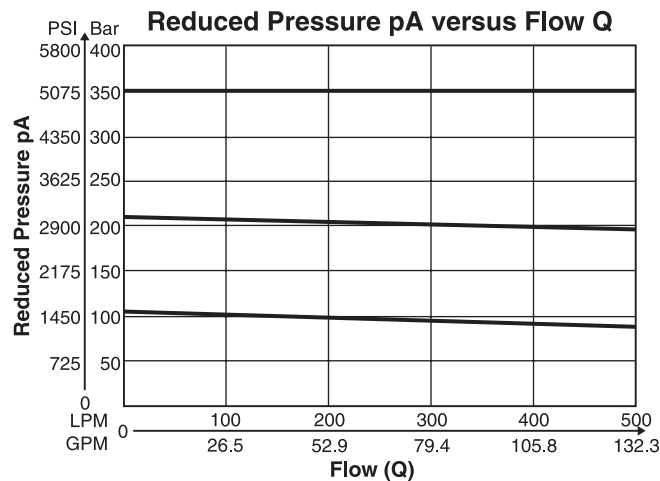
**R5R06\***



**R5R08\***



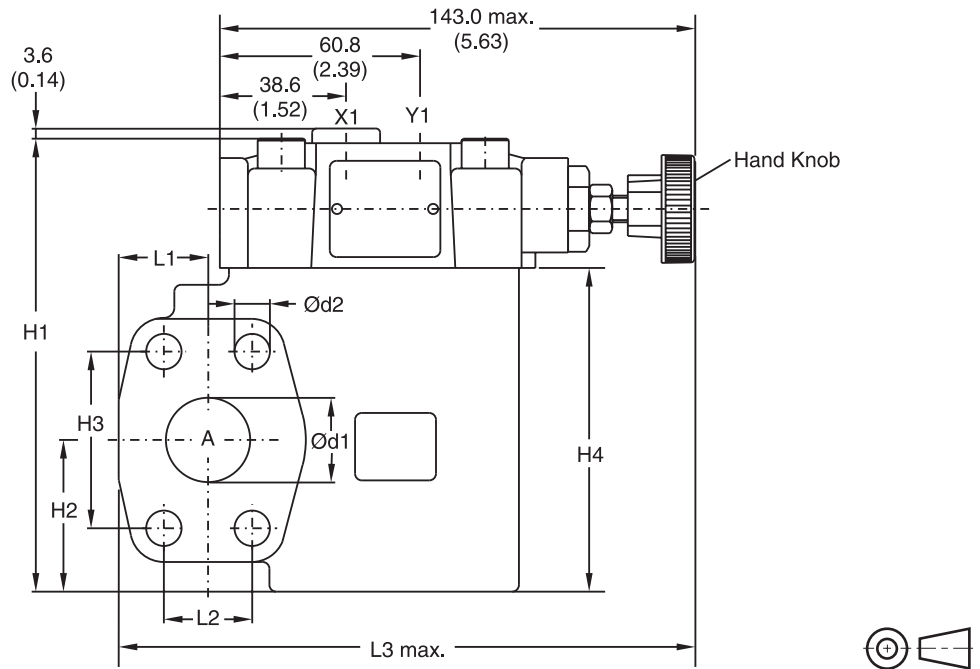
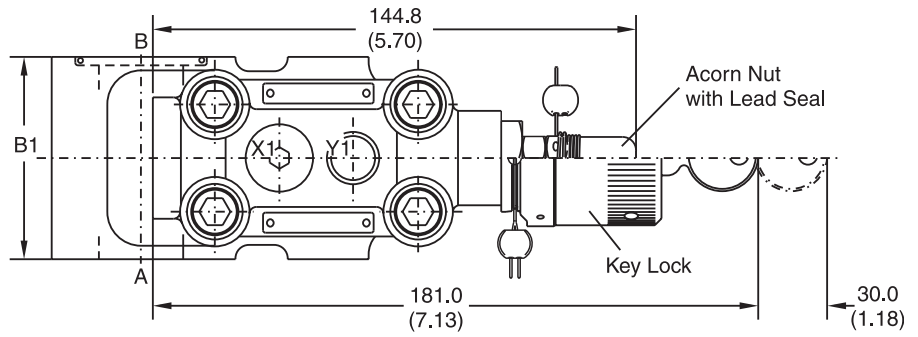
**R5R10\***



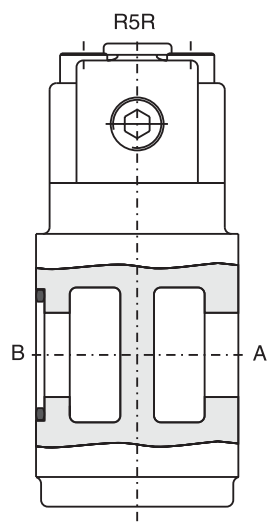
\*Measured at 350 Bar (5075 PSI) primary pressure pB.



Inch equivalents for millimeter dimensions are shown in (\*\*)



**D**



Seal Kits		
Size	Nitrile	Fluorocarbon
06	S16-91850-0	S16-91850-5
08	S16-91851-0	S16-91851-5
10	S16-91852-0	S16-91852-5

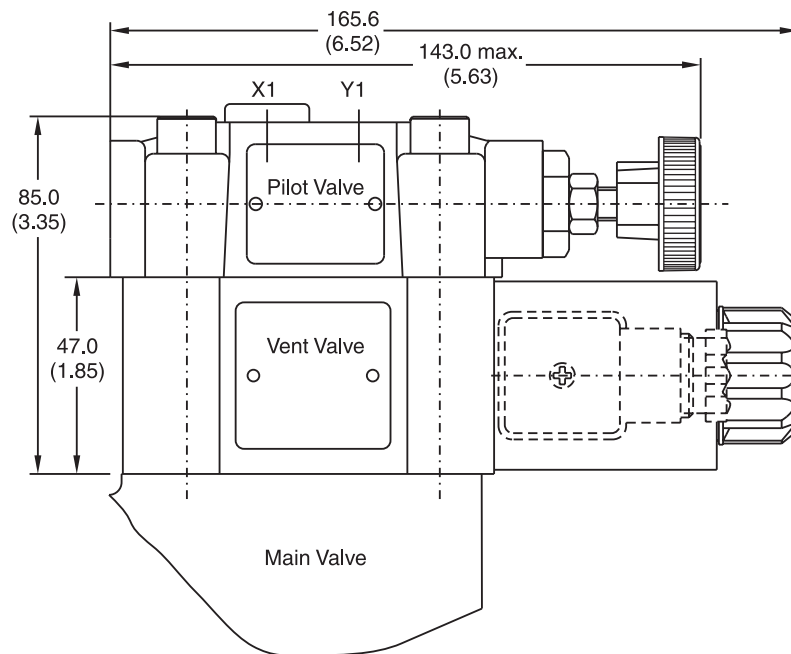
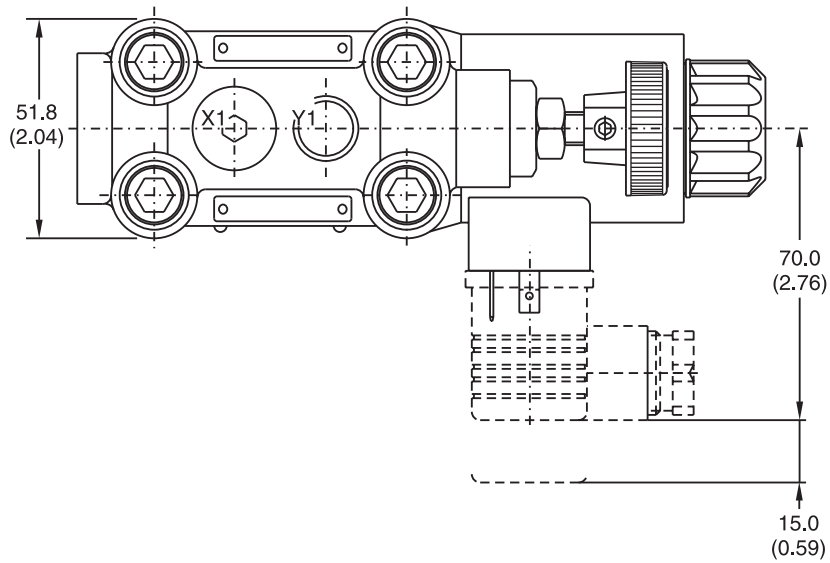
Size	B1	H1	H2	H3	H4	L1	L2	L3	d1	d2
06	60.0 (2.36)	131.6 (5.18)	37.0 (1.46)	47.6 (1.87)	90.0 (3.54)	24.6 (0.97)	22.2 (0.87)	152.0 (5.98)	19.0 (0.75)	10.5 (0.41)
08	60.0 (2.36)	137.6 (5.42)	45.0 (1.77)	52.4 (2.06)	96.0 (3.78)	26.5 (1.04)	26.2 (1.03)	171.0 (6.73)	25.0 (0.98)	10.5 (0.41)
10	75.0 (2.95)	150.6 (5.93)	48.0 (1.89)	58.7 (2.31)	109.0 (4.29)	34.0 (1.34)	30.2 (1.19)	179.0 (7.05)	32.0 (1.26)	12.5 (0.49)

Port	Function	Port Size		
		R5R06	R5R08	R5R10
B	Inlet Pressure	3/4" SAE 61	1" SAE 61	1-1/4" SAE 61
A	Reduced Outlet Pressure	3/4" SAE 61	1" SAE 61	1-1/4" SAE 61
Y1	External Drain	SAE 4		
X1	Pressure Gauge	SAE 4		

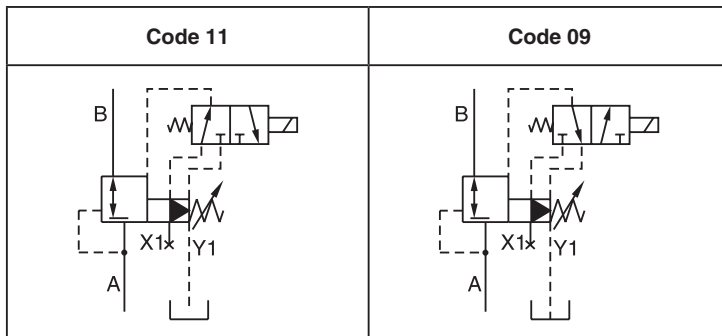
R5R.indd, dd



Inch equivalents for millimeter dimensions are shown in (\*\*)



**External Drain**



Vent Valve Seal Kits	
Nitrile	Fluorocarbon
<b>DC Solenoid</b>	
S26-58515-0	S26-58515-5
<b>AC Solenoid</b>	
S26-35237-0	S26-35237-5

R5R.indd, dd

