

General Description

Series R5V pilot operated pressure relief valves have a similar design to the subplate mounted R4V series. The SAE flanges allow to mount the valves directly on the outlet flanges of pumps or inlet flanges of actuators to achieve a very compact design.

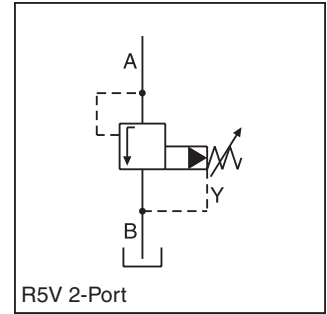
Valves with SAE flanges can also be bolted together to combine functions without the need of a manifold block.

Operation

The system pressure in Port A is applied to the pilot valve and to the top surface of the main poppet via an orifice in X. The hydraulically balanced main poppet is held against the seat by the main spring. In this state there is no flow through the valve. The adjusted spring force acting on the pilot cone determines the relief pressure. If the pressure in Port A exceeds the set point, the pilot cone is lifted from its seat, releasing a small pilot flow to tank. The flow through the control orifice in X creates a pressure drop which limits the pressure at the top of the main poppet to the set point. The higher system pressure in Port A now lifts the main poppet off its seat and allows flow to Port B. In the resulting float position only enough flow is passed from Port A to Port B to maintain the inlet pressure in Port A at the set point. When the pressure in Port A falls below the set point, the hydraulic balance on the main poppet is restored. The main spring then forces the main poppet to close.



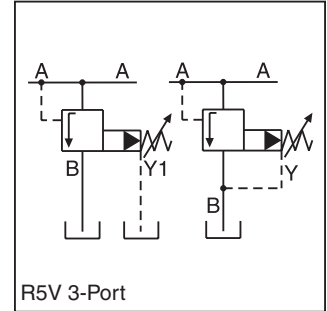
R5V 2-Port



R5V 2-Port



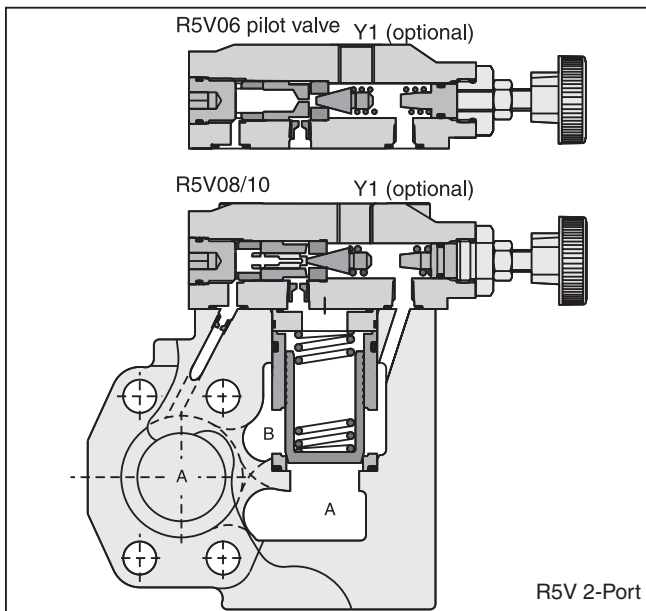
R5V 3-Port



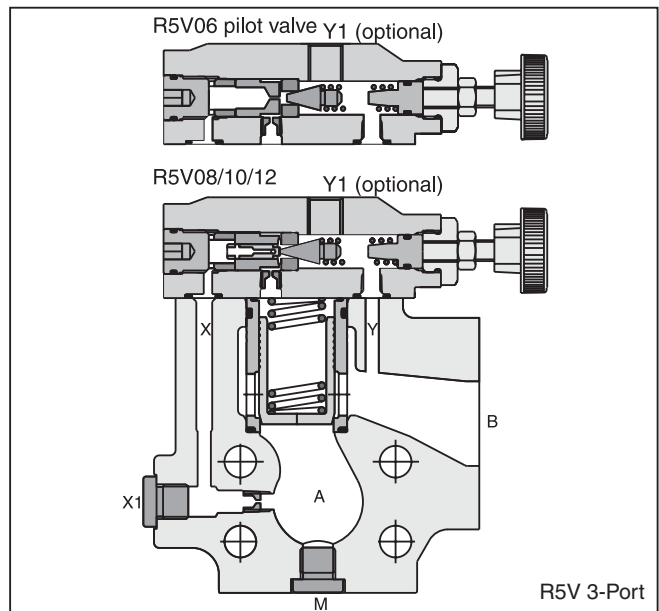
R5V 3-Port

Features

- Pilot operated with manual adjustment.
- R5V with 2-port body:
 - 3 sizes (SAE 3/4", 1", 1-1/4")
 - SAE 61 flange
- R5V with 3-port body:
 - 4 sizes (SAE 3/4", 1", 1-1/4", 1-1/2")
 - SAE 61 and SAE 62 flange
- 3 pressure stages.
- 3 adjustment modes:
 - Hand knob
 - Acorn nut with lead seal
 - Key lock
- With optional vent function.



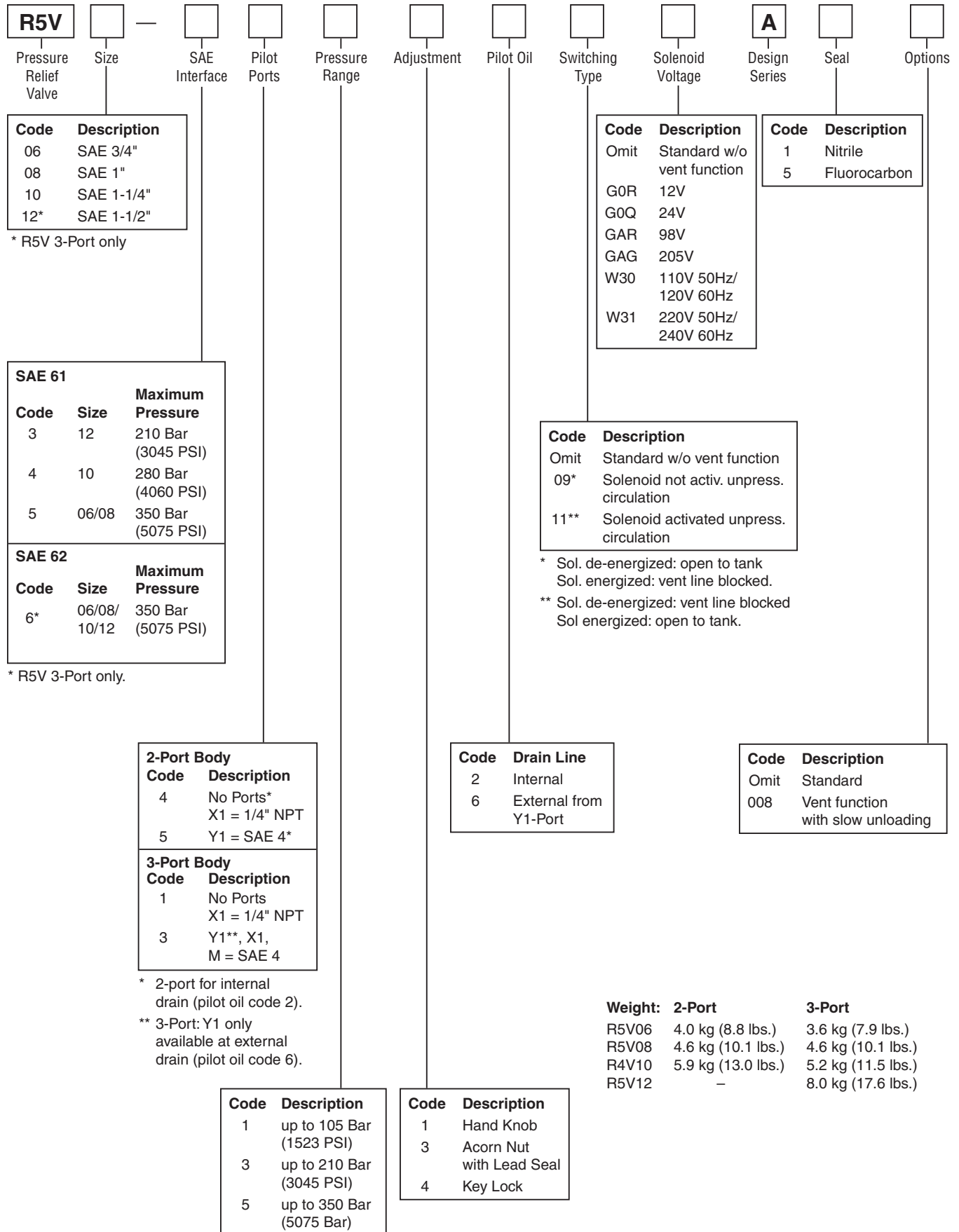
R5V 2-Port



R5V 3-Port

R5V.indd, dd



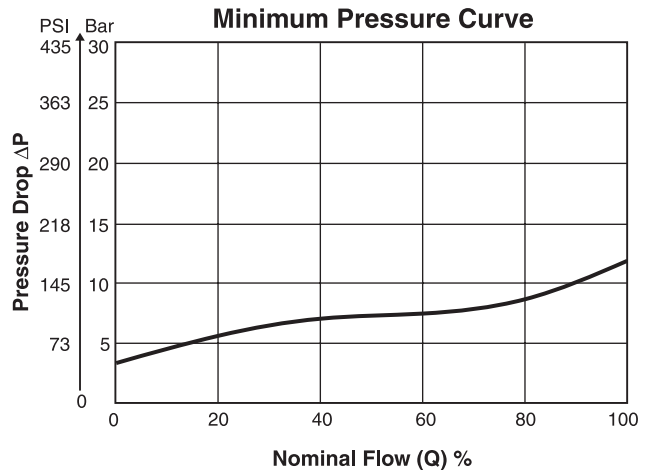
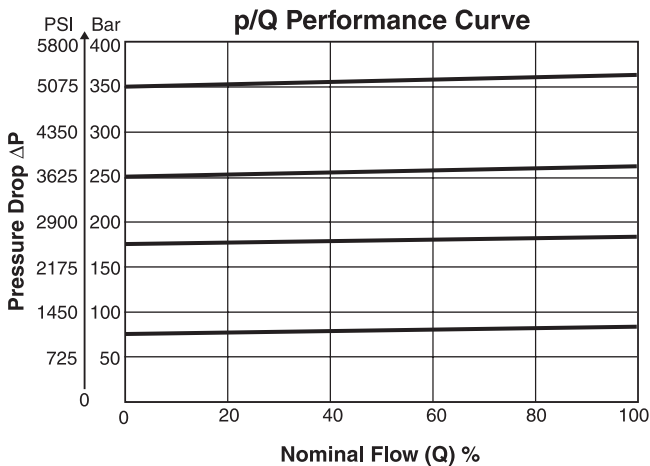


Specifications

General							
Size		06	08	10	12		
Mounting	Flanged according to SAE 61 / SAE 62						
Mounting Position	Unrestricted						
Ambient Temperature Range	-20°C to +50°C (-4°F to +122°F)						
Hydraulic							
Maximum Operating Pressure	SAE 61 Ports A, B	350 Bar (5075 PSI)	350 Bar (5075 PSI)	280 Bar (4060 PSI)	210 Bar (3045 PSI)		
	SAE 61 Port Y1	30 Bar (435 PSI)	30 Bar (435 PSI)	30 Bar (435 PSI)	30 Bar (435 PSI)		
	SAE 62 Ports A, B	350 Bar (5075 PSI)	350 Bar (5075 PSI)	350 Bar (5075 PSI)	350 Bar (5075 PSI)		
	SAE 62 Port Y1	30 Bar (435 PSI)	30 Bar (435 PSI)	30 Bar (435 PSI)	30 Bar (435 PSI)		
Pressure Ranges	105 Bar (1523 PSI), 210 Bar (3045 PSI), 350 Bar (5075 PSI)						
Nominal Flow	90 LPM (23.8 GPM)	300 LPM (79.4 GPM)	600 LPM (158.7 GPM)	600 LPM (158.7 GPM)			
Fluid	Hydraulic oil as per DIN 51524 to 51525						
Fluid Temperature	-20°C to +80°C (-4°F to +176°F)						
Viscosity	Permitted	10 to 650 cSt / mm ² /s (46 to 3013 SSU)					
	Recommended	30 cSt / mm ² /s (139 SSU)					
Filtration	ISO Class 4406 (1999) 18/16/13 (acc. NAS 1638: 7)						
Electrical (Solenoid)							
Duty Ratio	100%						
Solenoid Connection	Connector as per EN175301-803						
Protection Class	IP65 in accordance with EN60529 (plugged and mounted)						
	Code	G0R	G0Q	GAR	GAG	W30	W31
Supply Voltage		12V	24V	98V	205V	110V at 50Hz/ 120V at 60Hz	220V at 50Hz/ 240V at 60Hz
Tolerance Supply Voltage		+5 to -10	+5 to -10	+5 to -10	+5 to -10	±5	±5
Power Consumption	Hold	31W	31W	31W	31W	78W	78W
	In Rush	31W	31W	31W	31W	264W	264W
Response Time	Energized / De-energized AC 20/18ms, DC 46/27 ms						
Maximum Switching Frequency	AC up to 7200 switchings/hour; DC up to 16,000 switchings/hour						
Coil Insulation Class	H (180°C) (356°F)						



Performance Curves

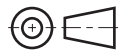
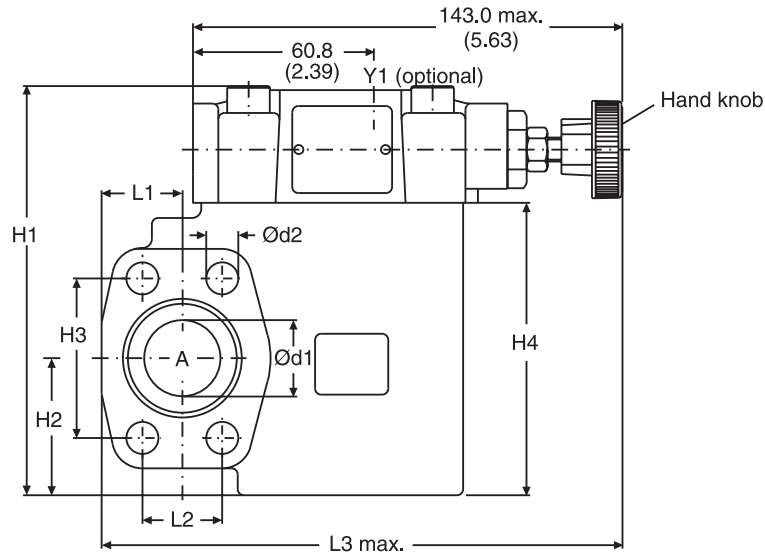
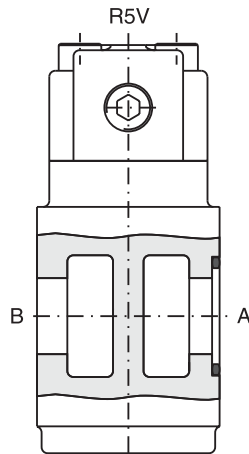
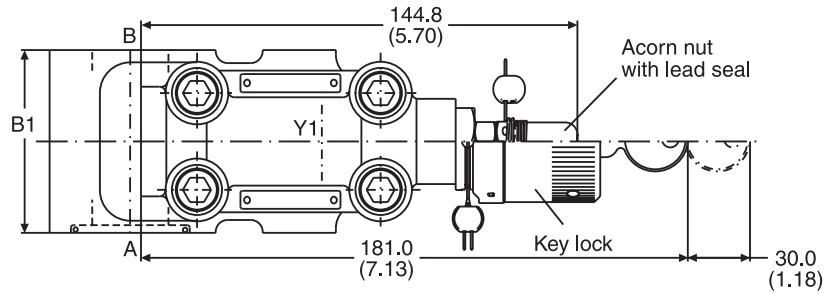


R5V.indd, dd



Inch equivalents for millimeter dimensions are shown in (**)

2-Port



Seal Kits		
Size	Nitrile	Fluorocarbon
06	S16-91850-0	S16-91850-5
08	S16-91851-0	S16-91851-5
10	S16-91852-0	S16-91852-5

SAE 61

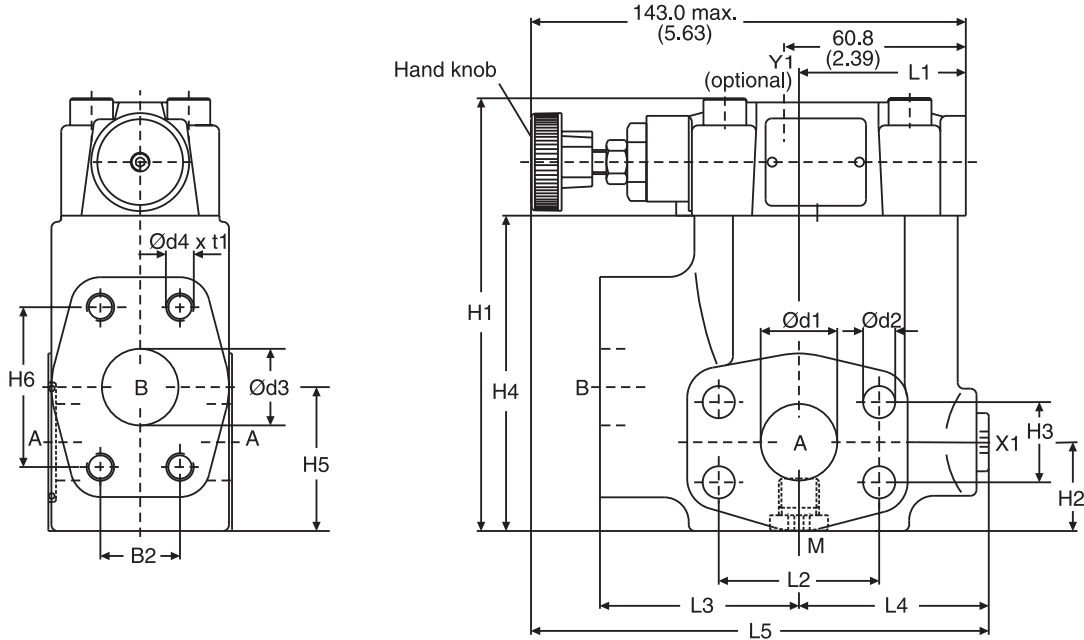
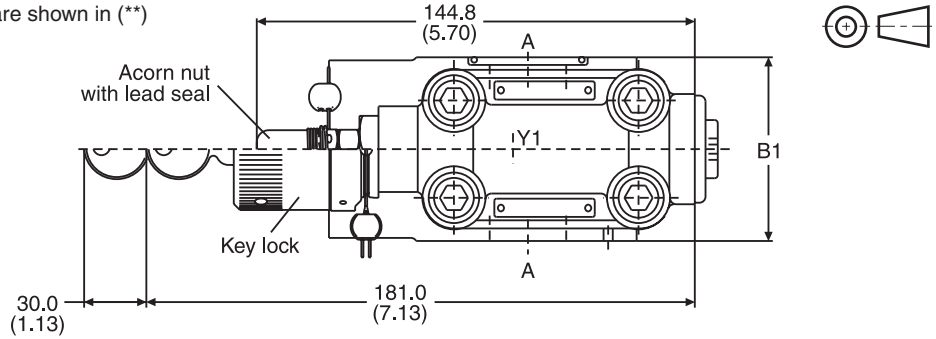
Size	B1	H1	H2	H3	H4	L1	L2	L3	d1	d2
06	60.0 (2.36)	131.6 (5.18)	37.0 (1.46)	47.6 (1.87)	90.0 (3.54)	24.6 (0.97)	22.2 (0.89)	152.0 (5.98)	19.0 (0.75)	10.5 (0.41)
08	60.0 (2.36)	137.6 (5.42)	45.0 (1.77)	52.4 (2.06)	96.0 (3.78)	26.5 (1.04)	26.2 (1.03)	171.0 (6.73)	25.0 (0.98)	10.5 (0.41)
10	75.0 (2.95)	150.6 (5.93)	48.0 (1.89)	58.7 (2.31)	109.0 (4.29)	34.0 (1.34)	30.2 (1.19)	179.0 (7.05)	32.0 (1.26)	12.5 (0.49)

Port	Function	Port Size		
		R5V06	R5V08	R5V10
A	Pressure	3/4" SAE 61	1" SAE 61	1-1/4" SAE 61
B	Tank	3/4" SAE 61	1" SAE 61	1-1/4" SAE 61
Y1	External Drain	SAE 4		

Inch equivalents for millimeter dimensions are shown in (**)

3-Port

Seal Kits		
Size	Nitrile	Fluorocarbon
06	S16-91850-0	S16-91850-5
08	S16-91851-0	S16-91851-5
10	S16-91852-0	S16-91852-5
12	S26-27421-0	S26-27421-5



SAE 61

Size	B1	B2	H1	H2	H3	H4	H5	H6	L1	L2	L3	L4	L5	d1	d2	d3	t1
06	60.0 (2.36)	22.2 (0.87)	119.0 (4.69)	28.0 (1.10)	22.2 (0.87)	81.0 (3.19)	41.6 (1.64)	47.6 (1.87)	50.3 (1.98)	47.6 (1.87)	63.0 (2.48)	56.0 (2.20)	152.0 (5.98)	19.0 (0.75)	10.5 (0.41)	19.0 (0.75)	20.0 (0.79)
08	60.0 (2.36)	26.2 (1.03)	141.0 (5.55)	29.0 (1.14)	26.2 (1.03)	103.0 (4.06)	47.0 (1.85)	52.4 (2.06)	55.8 (2.20)	52.4 (2.06)	65.0 (2.56)	58.0 (2.28)	149.0 (5.87)	25.0 (0.98)	10.5 (0.41)	25.0 (0.98)	23.0 (0.91)
10	75.0 (2.95)	30.2 (1.19)	151.0 (5.94)	34.5 (1.36)	30.2 (1.19)	113.0 (4.45)	64.0 (2.52)	58.7 (2.31)	57.8 (2.28)	58.7 (2.31)	61.0 (2.40)	62.0 (2.44)	150.5 (5.93)	32.0 (1.26)	12.5 (0.49)	32.0 (1.26)	22.0 (0.87)
12	80.0 (3.15)	35.7 (1.41)	178.0 (7.01)	34.0 (1.34)	35.7 (1.41)	140.0 (5.51)	73.0 (2.87)	69.8 (2.75)	37.3 (1.47)	69.8 (2.75)	92.5 (3.64)	55.2 (2.17)	171.2 (6.74)	38.0 (1.50)	13.5 (0.53)	38.0 (1.50)	27.0 (1.06)

SAE 62

Size	B1	B2	H1	H2	H3	H4	H5	H6	L1	L2	L3	L4	L5	d1	d2	d3	t1
06	60.0 (2.36)	23.8 (0.94)	119.0 (4.69)	28.0 (1.10)	23.8 (0.94)	81.0 (3.19)	41.6 (1.64)	50.8 (2.00)	50.3 (1.98)	50.8 (2.00)	63.0 (2.48)	56.0 (2.20)	152.0 (5.98)	19.0 (0.75)	10.5 (0.41)	19.0 (0.75)	20.0 (0.79)
08	60.0 (2.36)	27.8 (1.09)	141.0 (5.55)	29.0 (1.14)	27.8 (1.09)	103.0 (4.06)	47.0 (1.85)	57.2 (2.25)	55.8 (2.20)	57.2 (2.25)	65.0 (2.56)	58.0 (2.28)	149.0 (5.87)	25.0 (0.98)	12.5 (0.49)	25.0 (0.98)	22.0 (0.87)
10	75.0 (2.95)	31.8 (1.25)	151.0 (5.94)	34.5 (1.36)	31.8 (1.25)	113.0 (4.45)	64.0 (2.52)	66.7 (2.63)	57.8 (2.28)	66.7 (2.63)	61.0 (2.40)	62.0 (2.44)	150.5 (5.93)	32.0 (1.26)	13.5 (0.53)	32.0 (1.26)	24.0 (0.94)
12	80.0 (3.15)	36.5 (1.44)	178.0 (7.01)	34.0 (1.34)	36.5 (1.44)	140.0 (5.51)	73.0 (2.87)	79.4 (3.13)	37.3 (1.47)	79.4 (3.13)	92.5 (3.64)	55.2 (2.17)	171.2 (6.74)	38.0 (1.50)	17.0 (0.67)	38.0 (1.50)	33.0 (1.30)

Port	Function	Port size			
		R5V06	R5V08	R5V10	R5V12
A (2)	Pressure	3/4" SAE 61/62	1" SAE 61/62	1-1/4" SAE 61/62	1-1/2" SAE 61/62
B	Tank	3/4" SAE 61/62	1" SAE 61/62	1-1/4" SAE 61/62	1-1/2" SAE 61/62
X1	External pilot port *	SAE 4			
Y1	External drain	SAE 4			
M	Pressure gauge	SAE 4			

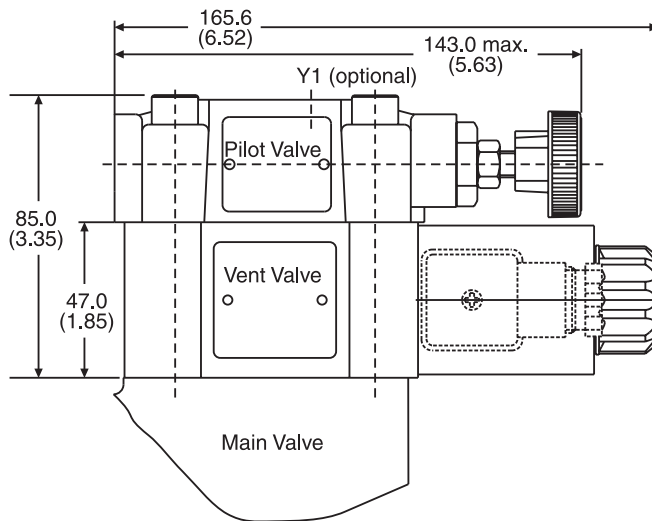
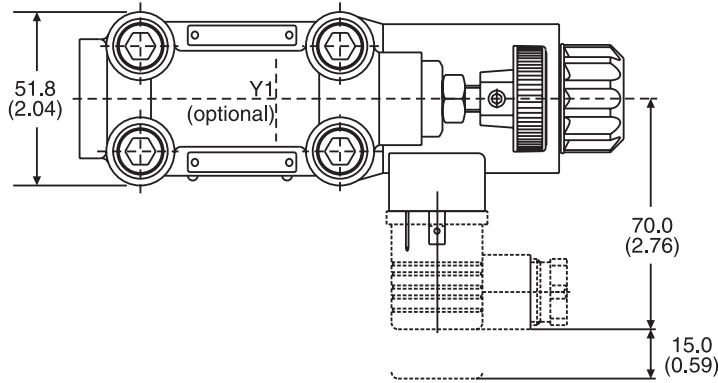
R5V.indd, dd

* closed when supplied.



Inch equivalents for millimeter dimensions are shown in (**)

with Vent Function



Vent Valve Seal Kits	
Nitrile	Fluorocarbon
DC Solenoid	
S26-58515-0	S26-58515-5
AC Solenoid	
S26-35237-0	S26-35237-5

Code	R5V 2-Port		R5V 3-Port	
	Internal Drain	External Drain	Internal Drain	External Drain
11				
09				