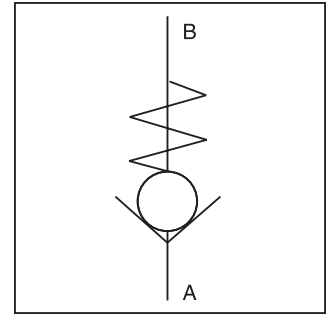


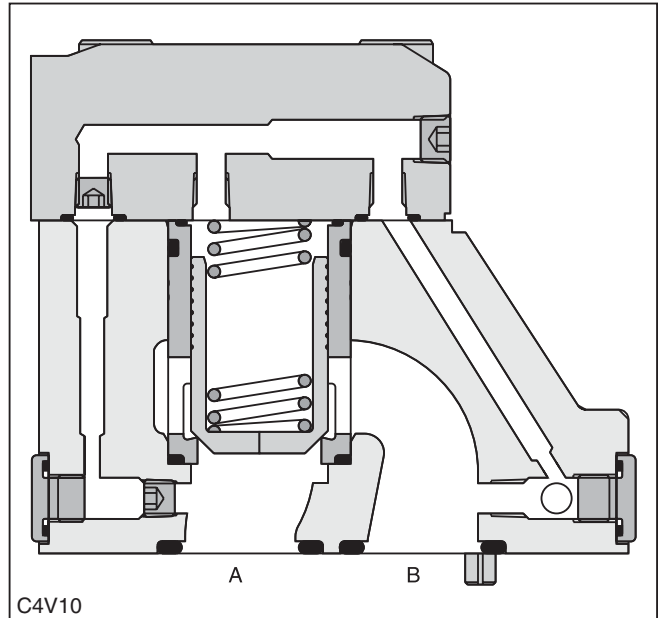
General Description

Series C4V direct operated check valves allow free flow from A to B. The counter direction is blocked. Series C4V valves are equipped with a leak-free seat type cartridge.



Operation

The pressure arising in port A lifts the poppet from the valve seat and releases the flow to B. In the counter direction, the spring and the pressure on top of the cartridge hold the poppet onto the seat and block the flow.



E

Features

- High flow, low pressure drop design.
- Minimal internal leakage.
- Six crack pressure options.

Ordering Information

C4V	□	—	5	3	0	□	B	□	□
Direct Operated Check Valve	Size		Maximum Pressure 350 Bar (5075 PSI)	Subplate Mounting		Approximate Cracking Pressure	Design Series	Seal	Options Check with Factory

Code	Description
03	NG10
06	NG25
10	NG32

Code	Description
1	Nitrile
5	Fluorocarbon

Weight:

C4V03	2.8 kg (6.2 lbs)
C4V06	4.6 kg (10.1 lbs.)
C4V10	6.1 kg (13.5 lbs.)

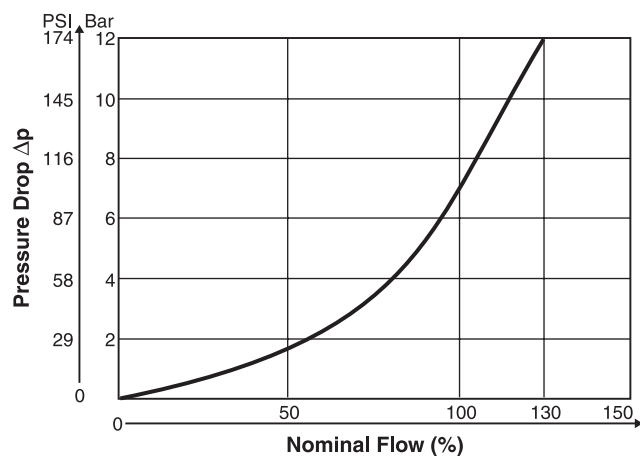
Code	Description	C4V03	C4V06 / C4V10
1	2.8 Bar (40.6 PSI)	3.5 Bar (50.8 PSI)	
2	0.5 Bar (7.3 PSI)	0.5 Bar (7.3 PSI)	
3	0.3 Bar (4.4 PSI)	0.3 Bar (4.4 PSI)	
4	2.2 Bar (31.9 PSI)	2.2 Bar (31.9 PSI)	
5	—	9.0 Bar (130.5 PSI)	
6	1.2 Bar (17.4 PSI)	1.2 Bar (17.4 PSI)	
7	3.0 Bar (43.5 PSI)	—	

Specifications

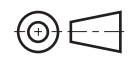
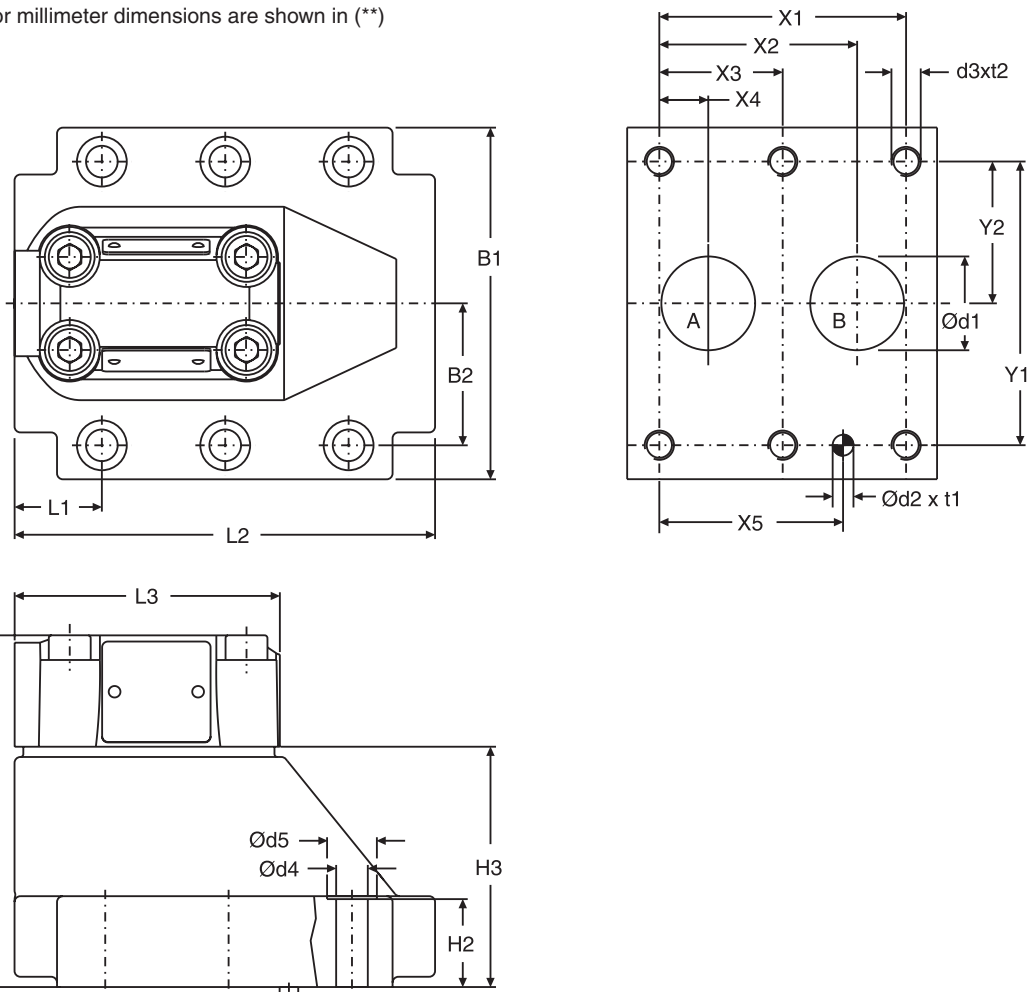
General				
Size		NG10	NG25	NG32
Subplate Mounting		ISO 5781		
Mounting Position		Unrestricted		
Ambient Temperature Range		-20°C to +80°C (-4°F to +176°F)		
Hydraulic				
Maximum Operating Pressure		350 Bar (5075 PSI)		
Pressure Range		105 Bar (1523 PSI), 210 Bar (3045 PSI), 350 Bar (5075 PSI)		
Nominal Flow		150 LPM (39.7 GPM)	270 LPM (71.4 GPM)	450 LPM (119.0 GPM)
Fluid		Hydraulic oil to DIN 51524		
Viscosity	Recommended Permitted	30 to 50 cSt / mm ² /s (139 to 232 SSU) 20 to 380 cSt / mm ² /s (93 to 1761 SSU)		
Fluid Temperature	Recommended Permitted	+30°C to +50°C (86°F to +122°F) -20°C to +70°C (-4°F to +158°F)		
Filtration		ISO Class 4406 (1999) 18/16/13 (meet NAS 1638:7)		



Performance Curve



Inch equivalents for millimeter dimensions are shown in (**)



NG	ISO-code	x1	x2	x3	x4	x5	y1	y2	B1	B2	H1	H2	H3	L1	L2
10	5781-06-07-0-00	42.9 (1.69)	35.8 (1.41)	-	7.2 (0.28)	31.8 (1.25)	66.7 (2.63)	33.4 (1.31)	87.3 (3.44)	33.4 (1.31)	83.0 (3.27)	21.0 (0.83)	45.0 (1.77)	29.0 (1.14)	94.8 (3.73)
25	5781-08-10-0-00	60.3 (2.37)	49.2 (1.94)	-	11.1 (0.44)	44.5 (1.75)	79.4 (3.13)	39.7 (1.56)	105.0 (4.13)	39.7 (1.56)	109.5 (4.31)	29.0 (1.14)	71.5 (2.81)	34.7 (1.37)	126.8 (4.99)
32	5781-10-13-0-00	84.2 (3.31)	67.5 (2.66)	42.1 (1.66)	16.7 (0.66)	62.7 (2.47)	96.8 (3.81)	48.4 (1.91)	120.0 (4.72)	48.4 (1.91)	120.0 (4.72)	29.0 (1.14)	82.0 (3.23)	30.6 (1.20)	144.3 (5.68)

Tolerance for all dimensions ±0.2 mm (0.01 inches)

NG	ISO-code	d1max	d2	t1	d3	t2	d4	d5
10	5781-06-07-0-00	15.0 (0.59)	7.1 (0.28)	8.0 (0.31)	M10	16.0 (0.63)	10.8 (0.43)	17.0 (0.67)
25	5781-08-10-0-00	23.4 (0.92)	7.1 (0.28)	8.0 (0.31)	M10	18.0 (0.71)	10.8 (0.43)	17.0 (0.67)
32	5781-10-13-0-00	32.0 (1.26)	7.1 (0.28)	8.0 (0.31)	M10	20.0 (0.79)	10.8 (0.43)	17.0 (0.67)

NG	ISO-code	Bolt Kit			Seal Kit		Surface finish
					Nitrile	Fluorocarbon	
10	5781-06-07-0-00	BK505	4xM10 x 35 DIN 912 12.9	68 Nm (50.2 lb-ft) ±15%	S16-39362-0	S16-39362-5	
25	5781-08-10-0-00	BK485	4xM10 x 45 DIN 912 12.9	68 Nm (50.2 lb-ft) ±15%	S16-39364-0	S16-39364-5	
32	5781-10-13-0-00	BK506	6xM10 x 45 DIN 912 12.9	68 Nm (50.2 lb-ft) ±15%	S16-39366-0	S16-39366-5	

C4V-DO.indd, dd

