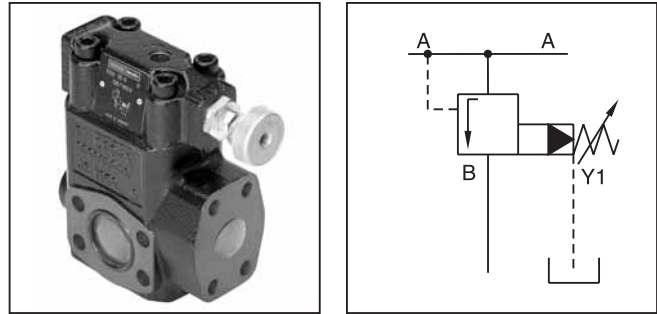


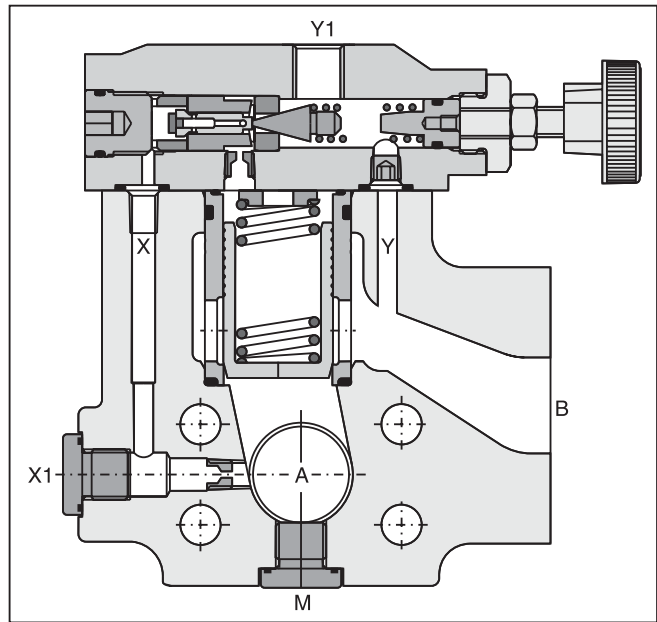
General Description

Series R5S pilot operated sequence valves have a similar design to the subplate mounted R4S series. The SAE flanges allow to mount the valve directly on the inlet flanges of actuators or outlet flanges of pumps to achieve a very compact design.



Features

- Pilot operated with manual adjustment.
- 3-port body with SAE61 flange.
- 3 sizes (SAE 3/4", 1", 1-1/4").
- 3 pressure stages:
- 2 adjustment modes:
 - Hand knob
 - Acorn nut with lead seal



Ordering Information

<div style="border: 1px solid black; padding: 2px; width: 40px; margin: 0 auto;">R5S</div> <p style="text-align: center; font-size: small;">Pressure Sequence Valve</p>	<div style="border: 1px solid black; width: 20px; height: 20px; margin: 0 auto;"></div> <p style="text-align: center; font-size: small;">Size</p>	<p style="font-size: 2em; margin: 0 10px;">—</p> <div style="border: 1px solid black; width: 20px; height: 20px; margin: 0 auto;"></div> <p style="text-align: center; font-size: small;">SAE 61 Interface</p>	<div style="border: 1px solid black; padding: 2px; width: 20px; margin: 0 auto;">3</div> <p style="text-align: center; font-size: small;">3-Port Body Y1, M = SAE 4</p>	<div style="border: 1px solid black; width: 20px; height: 20px; margin: 0 auto;"></div> <p style="text-align: center; font-size: small;">Pressure Range</p>	<div style="border: 1px solid black; width: 20px; height: 20px; margin: 0 auto;"></div> <p style="text-align: center; font-size: small;">Adjustment</p>	<div style="border: 1px solid black; padding: 2px; width: 20px; margin: 0 auto;">6</div> <p style="text-align: center; font-size: small;">External Drain from Y1 Port</p>	<div style="border: 1px solid black; padding: 2px; width: 20px; margin: 0 auto;">A</div> <p style="text-align: center; font-size: small;">Design Series</p>	<div style="border: 1px solid black; width: 20px; height: 20px; margin: 0 auto;"></div> <p style="text-align: center; font-size: small;">Seal</p>	<div style="border: 1px solid black; width: 20px; height: 20px; margin: 0 auto;"></div> <p style="text-align: center; font-size: small;">Options Check with Factory</p>																								
			<table border="0" style="width: 100%;"> <thead> <tr> <th style="text-align: left;">Code</th> <th style="text-align: left;">Description</th> </tr> </thead> <tbody> <tr> <td>06</td> <td>SAE 3/4"</td> </tr> <tr> <td>08</td> <td>SAE 1"</td> </tr> <tr> <td>10</td> <td>SAE 1-1/4"</td> </tr> </tbody> </table>	Code	Description	06	SAE 3/4"	08	SAE 1"	10	SAE 1-1/4"				<table border="0" style="width: 100%;"> <thead> <tr> <th style="text-align: left;">Code</th> <th style="text-align: left;">Description</th> </tr> </thead> <tbody> <tr> <td>1</td> <td>up to 105 Bar (1523 PSI)</td> </tr> <tr> <td>3</td> <td>up to 210 Bar (3045 PSI)</td> </tr> <tr> <td>5</td> <td>up to 350 Bar (5075 Bar)</td> </tr> </tbody> </table>	Code	Description	1	up to 105 Bar (1523 PSI)	3	up to 210 Bar (3045 PSI)	5	up to 350 Bar (5075 Bar)				<table border="0" style="width: 100%;"> <thead> <tr> <th style="text-align: left;">Code</th> <th style="text-align: left;">Description</th> </tr> </thead> <tbody> <tr> <td>1</td> <td>Nitrile</td> </tr> <tr> <td>5</td> <td>Fluorocarbon</td> </tr> </tbody> </table>	Code	Description	1	Nitrile	5	Fluorocarbon
Code	Description																																
06	SAE 3/4"																																
08	SAE 1"																																
10	SAE 1-1/4"																																
Code	Description																																
1	up to 105 Bar (1523 PSI)																																
3	up to 210 Bar (3045 PSI)																																
5	up to 350 Bar (5075 Bar)																																
Code	Description																																
1	Nitrile																																
5	Fluorocarbon																																
			<table border="0" style="width: 100%;"> <thead> <tr> <th style="text-align: left;">Code</th> <th style="text-align: left;">Size</th> <th style="text-align: left;">Max. Pressure</th> </tr> </thead> <tbody> <tr> <td>4</td> <td>10</td> <td>280 Bar (4060 PSI)</td> </tr> <tr> <td>5</td> <td>06/08</td> <td>350 Bar (5075 PSI)</td> </tr> </tbody> </table>	Code	Size	Max. Pressure	4	10	280 Bar (4060 PSI)	5	06/08	350 Bar (5075 PSI)	<table border="0" style="width: 100%;"> <thead> <tr> <th style="text-align: left;">Code</th> <th style="text-align: left;">Description</th> </tr> </thead> <tbody> <tr> <td>1</td> <td>Hand Knob</td> </tr> <tr> <td>3</td> <td>Acorn Nut with Lead Seal</td> </tr> <tr> <td>4</td> <td>Key Lock</td> </tr> </tbody> </table>			Code	Description	1	Hand Knob	3	Acorn Nut with Lead Seal	4	Key Lock	<p>Weight:</p> <p>R5S06 3.6 kg (7.9 lbs.)</p> <p>R5S08 4.6 kg (10.1 lbs.)</p> <p>R5S10 5.2 kg (11.5 lbs.)</p>									
Code	Size	Max. Pressure																															
4	10	280 Bar (4060 PSI)																															
5	06/08	350 Bar (5075 PSI)																															
Code	Description																																
1	Hand Knob																																
3	Acorn Nut with Lead Seal																																
4	Key Lock																																



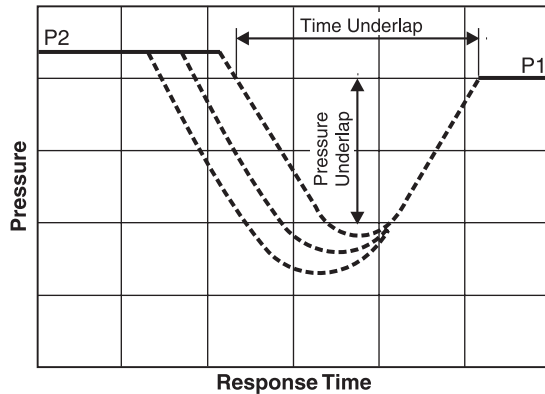
Specifications

General				
Size		06	08	10
Mounting	Flanged according to SAE 61			
Mounting Position	Unrestricted			
Ambient Temperature Range	-20°C to +50°C (-4°F to +122°F)			
Hydraulic				
Max. Operating Pressure	Ports A,B	350 Bar (5075 PSI)	350 Bar (5075 PSI)	280 Bar (4060 PSI)
	Ports Y, Y1	30 Bar (435 PSI)	30 Bar (435 PSI)	30 Bar (435 PSI)
Pressure Ranges	105 Bar (1523 PSI), 210 Bar (3045 PSI), 350 Bar (5075 PSI)			
Nominal Flow		90 LPM (23.3 GPM)	300 LPM (79.4 GPM)	600 LPM (158.7 GPM)
Fluid	Hydraulic oil as per DIN 51524 ... 51525			
Fluid Temperature	-20°C to 80°C (-4°F to 176°F)			
Viscosity	Permitted Recommended	10 to 650 cSt / mm ² /s (46 to 3013 SSU) 30 cSt / mm ² /s (139 SSU)		
Filtration	ISO Class 4406 (1999) 18/16/13 (acc. NAS 1638: 7)			

D

Performance Curve

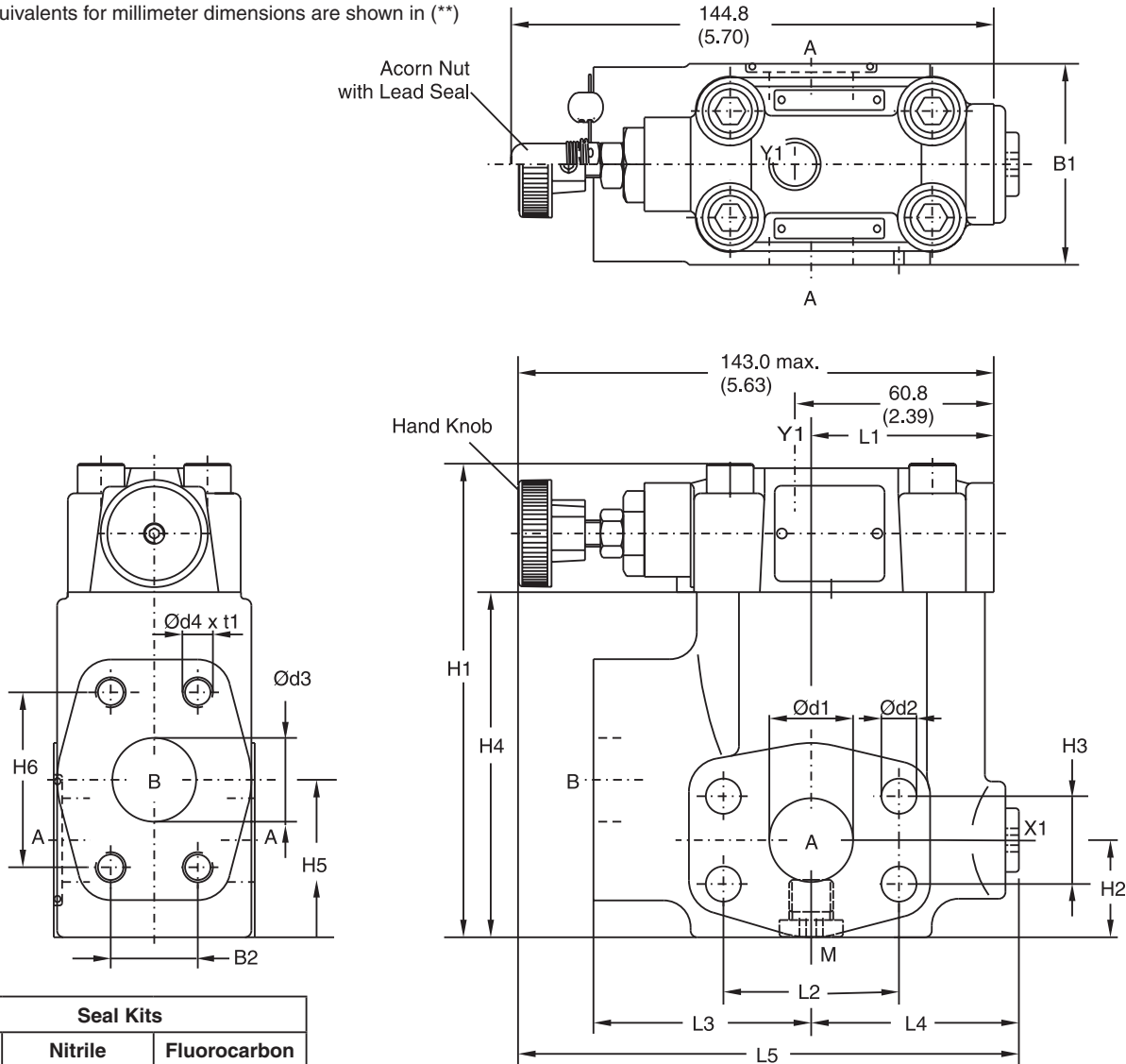
**Typical Pressure Characteristics
at Closing Point**



P1 = Setting Pressure
P2 = Operating Pressure

Time and pressure underlap depend on the characteristics of the specific system.

Inch equivalents for millimeter dimensions are shown in (**)



Seal Kits		
Size	Nitrile	Fluorocarbon
06	S16-91850-0	S16-91850-5
08	S16-91851-0	S16-91851-5
10	S16-91852-0	S16-91852-5

SAE 61

Size	B1	B2	H1	H2	H3	H4	H5	H6	L1	L2	L3	L4	L5	d1	d2	d3	d4 (option 152)	t1
06	60.0 (2.36)	22.2 (0.87)	119.0 (4.69)	28.0 (1.10)	22.2 (0.87)	81.0 (3.19)	41.6 (1.64)	47.6 (1.87)	50.3 (1.98)	47.6 (1.87)	63.0 (2.48)	56.0 (2.20)	152.0 (5.98)	19.0 (0.75)	10.5 (0.41)	19.0 (0.75)	3/8"-16 UNC (M10)	20.0 (0.79)
08	60.0 (2.36)	26.2 (1.03)	141.0 (5.55)	29.0 (1.14)	26.2 (1.03)	103.0 (4.06)	47.0 (1.85)	52.4 (2.06)	55.8 (2.20)	52.4 (2.06)	65.0 (2.56)	58.0 (2.28)	149.0 (5.87)	25.0 (0.93)	10.5 (0.41)	25.0 (0.98)	3/8"-16 UNC (M10)	23.0 (0.91)
10	75.0 (2.95)	30.2 (1.19)	151.0 (5.94)	34.5 (1.36)	30.2 (1.19)	113.0 (4.45)	64.0 (1.52)	58.7 (2.31)	57.8 (2.28)	58.7 (2.31)	61.0 (2.40)	62.0 (2.44)	150.5 (5.93)	32.0 (1.26)	12.5 (0.49)	32.0 (1.26)	7/16"-14 UNC (M12)	22.0 (0.87)

Port	Function	Port Size		
		R5S06	R5S08	R5S10
A (2)	Pressure	3/4" SAE 61	1" SAE 61	1-1/4" SAE 61
B	Secondary Port	3/4" SAE 61	1" SAE 61	1-1/4" SAE 61
X1	External Pilot Port*	SAE 4		
Y1	External Drain	SAE 4		
M	Pressure Gauge	SAE 4		

* closed when supplied.

R5S.indd, dd

